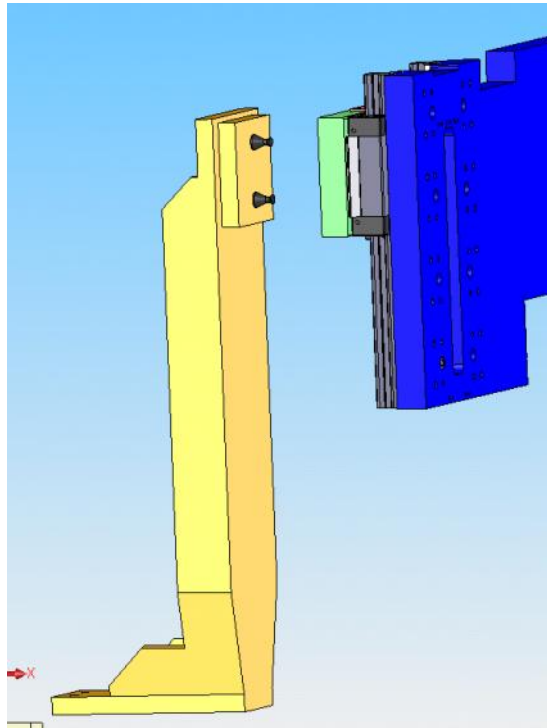


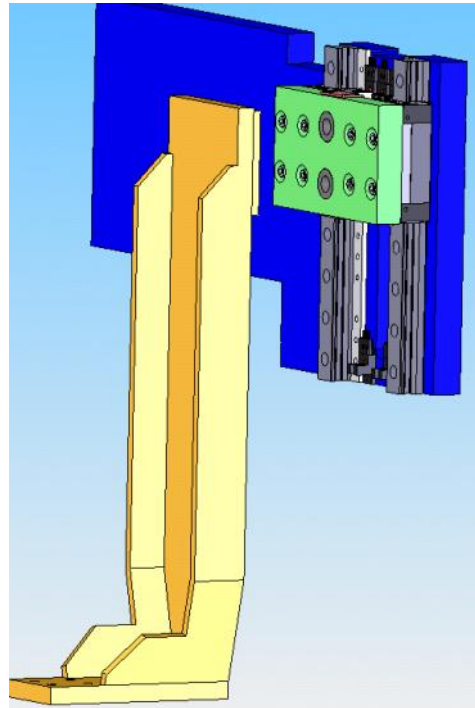
Guide Arm Clamp Detail

Tuesday, October 23, 2007
11:15 AM



Screen clipping taken: 10/23/2007, 11:15 AM

Guide Arm In Unclamped Position



Screen clipping taken: 10/23/2007, 11:17 AM

Clamping chuck center
to center distance:
30 mm

Arm Length: 300 mm