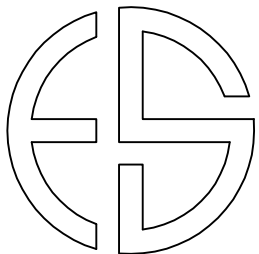
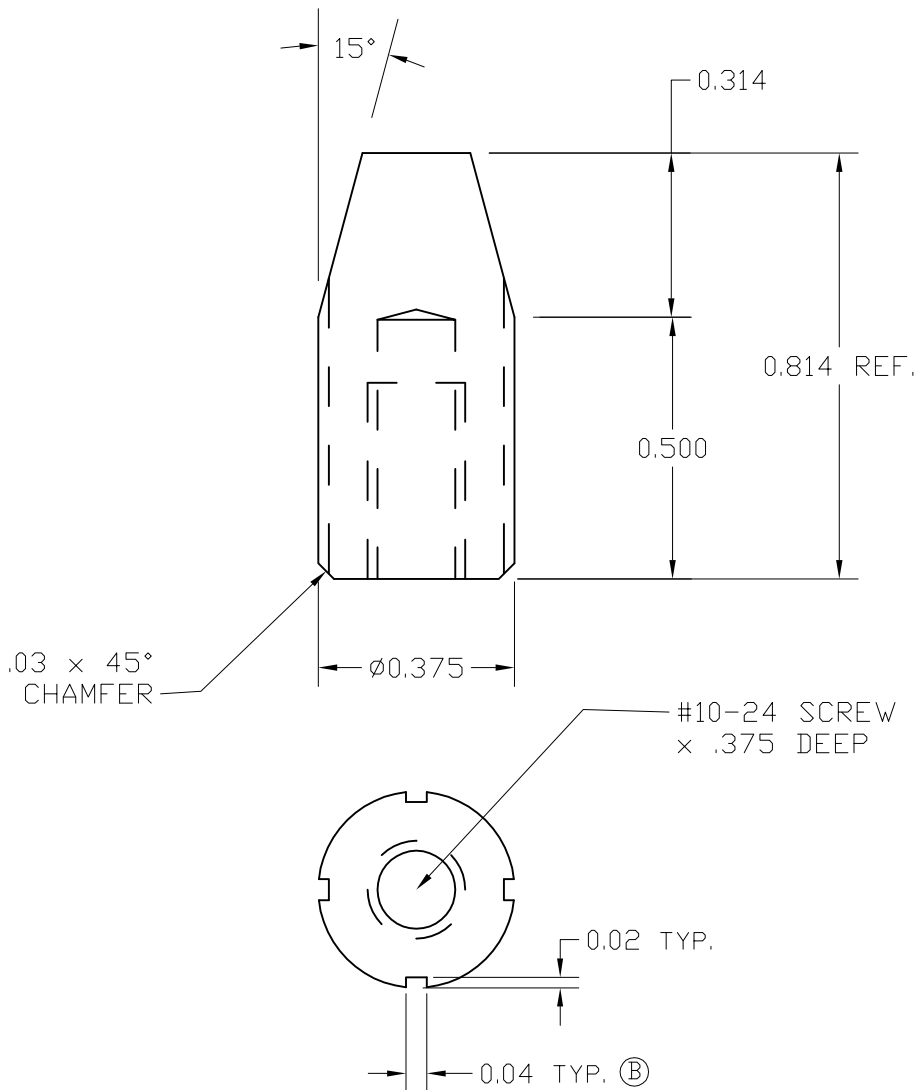


CONE LOCATOR MOLD
CAT#PDSP74-1



EDWARD D. SEGEN & CO, LLC

100 ENTERPRISE DRIVE, FT. LORAMIE, OH, 45845

PH. 937.295.2281 FAX 937.295.3677

WWW.SEGEN-ONLINE.COM

THE INFORMATION CONTAINED HEREIN MAY BE THE SUBJECT OF PENDING OR CONTEMPLATED PATENTS, AND IS FURNISHED WITHOUT PREJUDICE TO THE PATENT RIGHTS OF EDWARD D. SEGEN & CO, LLC