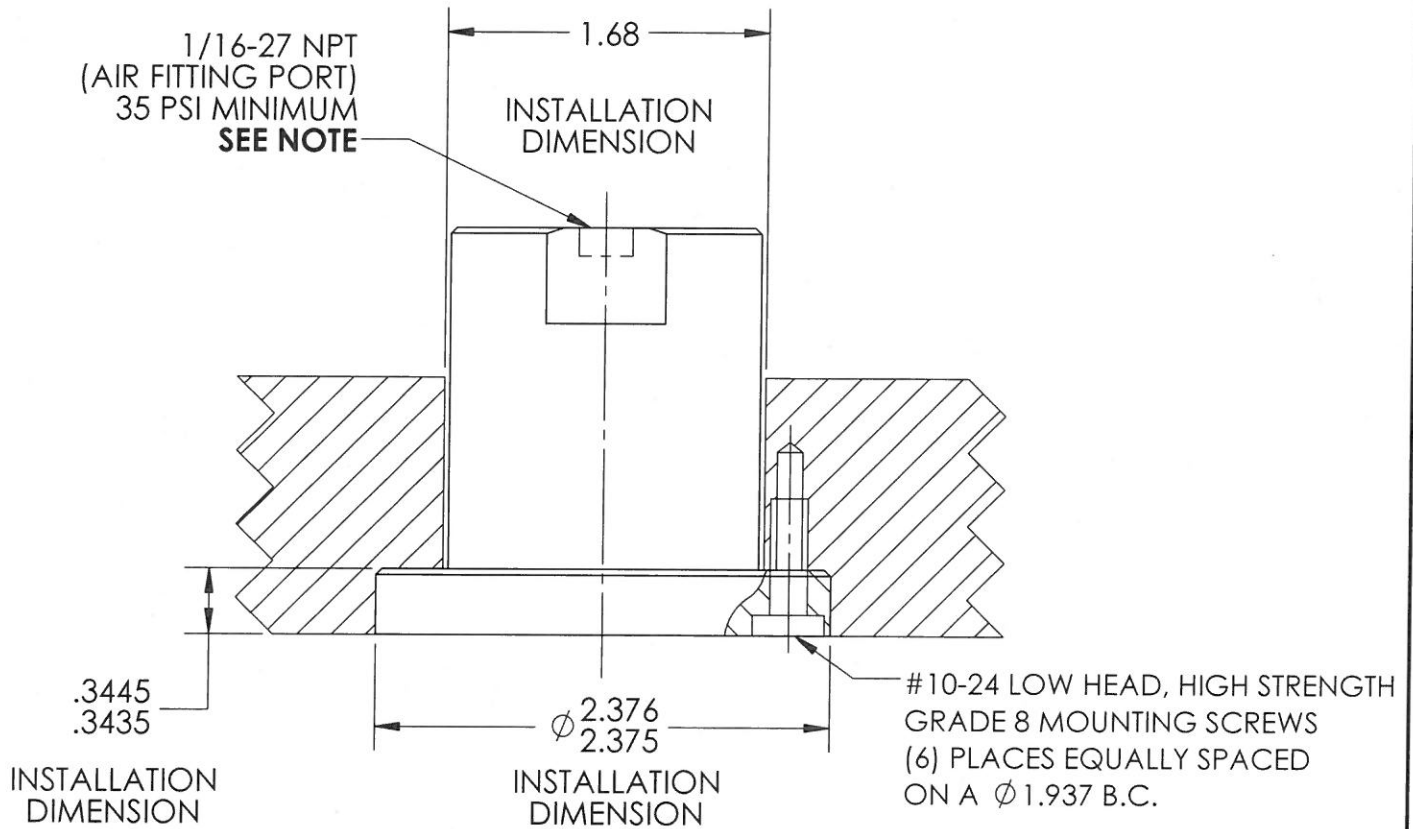
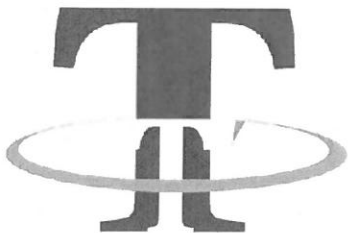


# MINI CYLINDER LOCK - FLANGE INSTALLATION INFORMATION

CAT. # PD375FHS



**NOTE:** WHEN INSTALLING 1/16-27 AIR FITTING DO NOT EXCEED TWO FULL REVOLUTIONS. EXCESSIVE FITTING ENGAGEMENT CAN INTERFERE WITH THE CYLINDER LOCK'S ABILITY TO ACTUATE PROPERLY, CAUSING IT TO MALFUNCTION.



**Tooling Technology, LLC**  
100 Enterprise Drive, Ft. Loramie, OH 45845  
PH: 937.295.3672 FAX: 937.295.3677  
[www.toolingtechgroup.com](http://www.toolingtechgroup.com)

THE INFORMATION CONTAINED HEREIN MAY BE THE SUBJECT OF PENDING OR CONTEMPLATED PATENTS AND IS FURNISHED WITHOUT PREJUDICE TO THE PATENT RIGHTS OF TOOLING TECHNOLOGY, LLC.