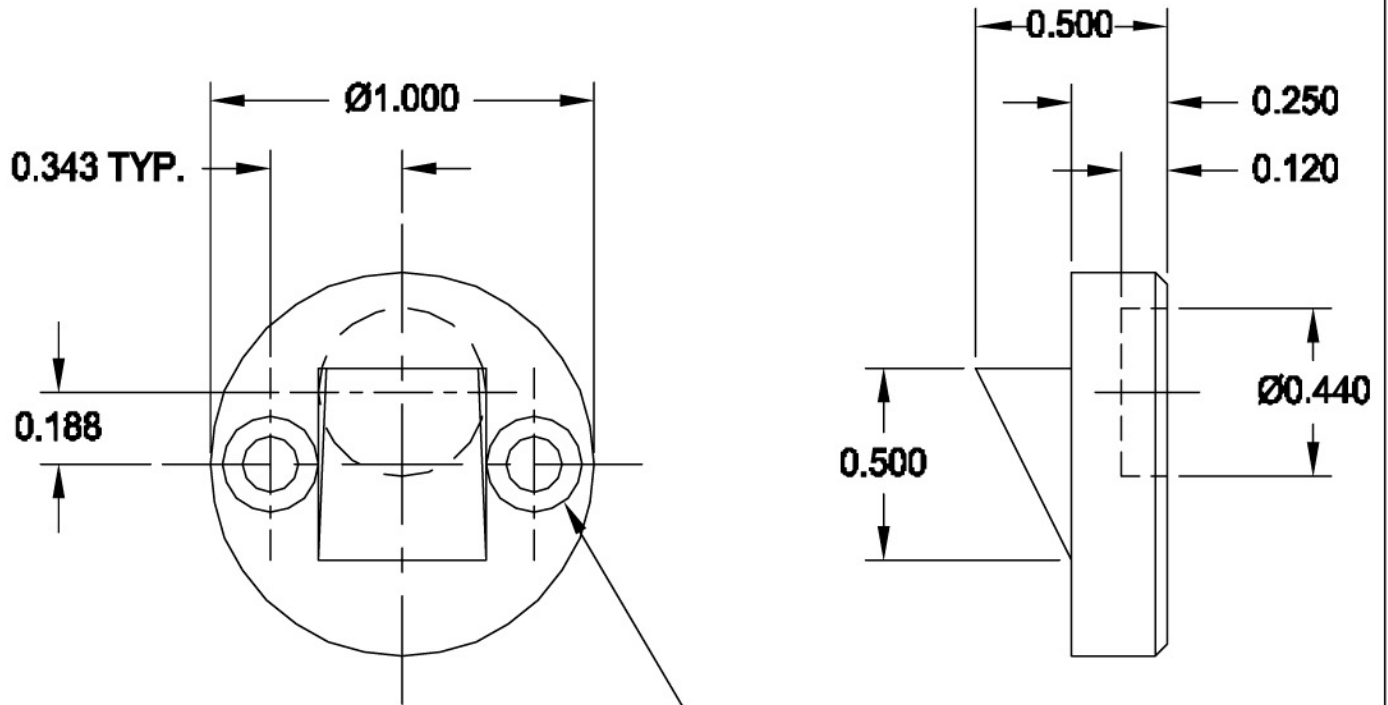


MALE INDEX BUTTON
1" ROUND COUNTER BORE MOUNT
CAT. # PDSP-54



FOR #6 CAP SCREW
TYP. (2) PLCS.



EDWARD D. SEGEN & CO, LLC
100 Enterprise Drive, Ft. Loramie, OH 45845
PH: 937.295.2281 FAX: 937.295.3677
www.toolingtechgroup.com

THE INFORMATION CONTAINED HEREIN MAY BE THE SUBJECT OF PENDING OR CONTEMPLATED PATENTS,
AND IS FURNISHED WITHOUT PREJUDICE TO THE PATENT RIGHTS OF EDWARD D. SEGEN & CO, LLC.