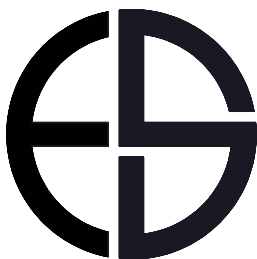
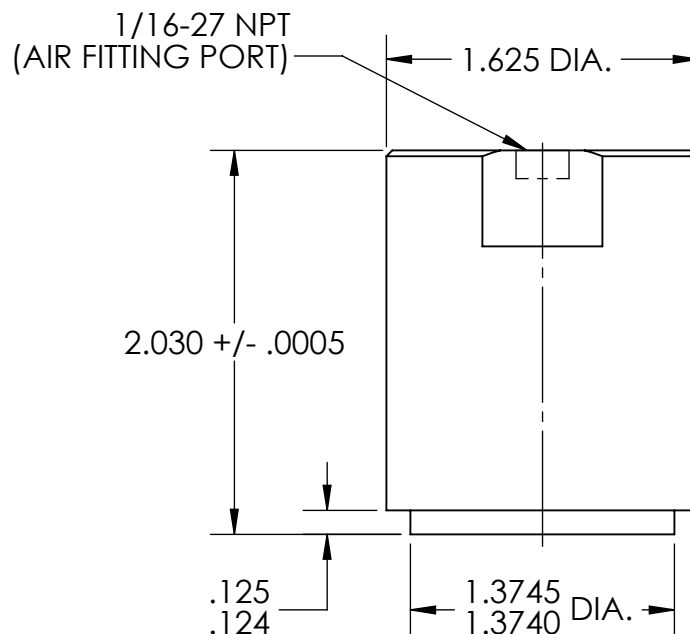
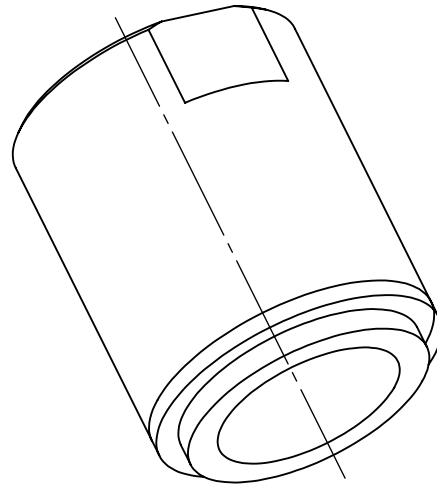


# MINI CYLINDER LOCK - SHOULDERED

CAT.# PD375



**Tooling Technology, LLC**

100 Enterprise Drive, Ft. Loramie, OH 45845

PH.937.295.2281 FAX 937.295.3677

[www.toolingtechgroup.com](http://www.toolingtechgroup.com)

THE INFORMATION CONTAINED HEREIN MAY BE THE SUBJECT OF PENDING OR CONTEMPLATED PATENTS,  
AND IS FURNISHED WITHOUT PREJUDICE TO THE PATENT RIGHTS OF EDWARD D. SEGEN & CO, LLC.