



**TOOLING
TECHNOLOGY**
TOOLING AND AUTOMATION

Tooling

Automation
& Secondary Equipment

Design/Engineering
& Product Development

Quick Change
Systems

Thermoforming
Accessories

Blow Molding
Accessories

THERMOFORMING ACCESSORIES



Precise mechanical systems provide fast, accurate tool changeover.

FORM TOOL COMPONENTS & ACCESSORIES

- Cone Locator Cartridges
- Scrap Chopper Bars
- Titan Sheet Clamps
- Indexing Buttons
- Peening Hammer

RAW MATERIALS

- Syntactic Foam Plug-Assist Materials
- Rapid-Cycle Heat Sink Compound
- Silicone Cord
- Metapor Mold Material

Titan Sheet Clamps

Hold hot plastic sheet securely in place during molding.

Improve part quality, eliminate webbing and assure even plastic distribution by installing Titan sheet clamps on your form tools. These inexpensive sheet clamps install easily on new or existing tooling. Titan sheet clamps are gas-spring-actuated, eliminating the need, cost and time to hook up compressed air. Save on design and tool building costs as well.

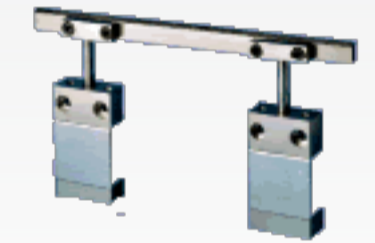
Titan's positive sheet clamping...

- Improves part quality
- Eliminates webbing
- Improve sheet distribution
- Reduces cycle time
- Improves sheet stripping
- Fits all sheet widths

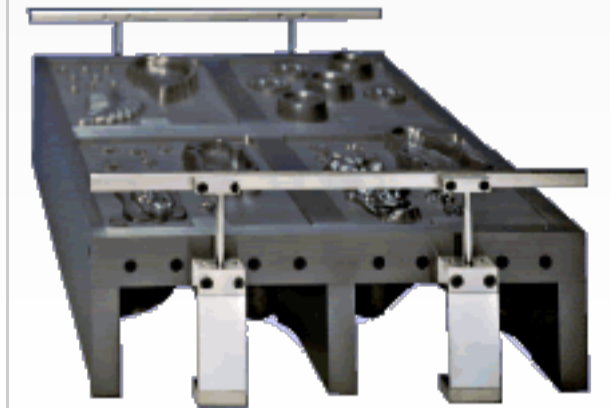
Simple Installation

Titan's modular design adapts to virtually any thermoforming tool. Clamp cylinders mount independent of clamp bar allowing customized placement. Attaching the bar to the cylinders with ball swivel retainers completes the assembly. These unique retainers permit the clamp bar to skew and yield during adverse clamping conditions.

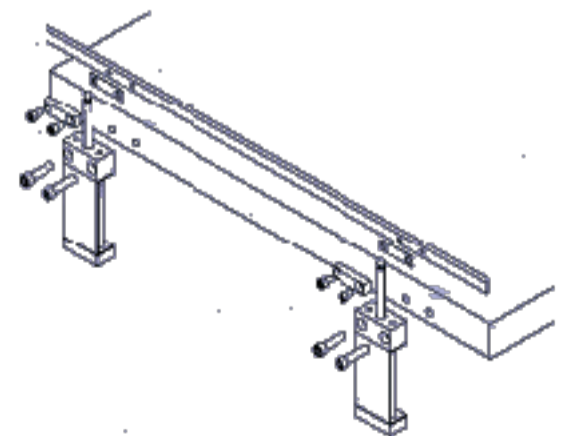
Titan sheet clamps are the sensible, inexpensive answer to your sheet clamping needs.



Component Assembly



Clamp Installed



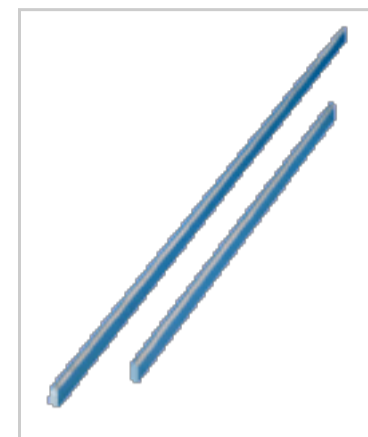
Clamp Cylinder Assemblies



Catalog #	Stroke	Body Length	Body Width	Height Overall	Force	Price
TSC15	1 1/2"	3 1/4"	1 7/8"	5 1/4"	75 lbs.	\$265
TSC30	3"	5"	1 7/8"	8 5/8"	75 lbs.	\$275

Clamp Bar

Catalog #	Body Length	Body Width	Height Overall	Price
TSCB24	24"	1/4"	5/8"	\$65
TSCB36	36"	1/4"	5/8"	\$75



Clamp Receiver Bar

Segen's receiver bar is designed to work with Titan sheet clamps by trapping plastic sheet in-between. Cut and mount receiver bars to fit opposing tool half. Our receiver bar is made of extruded aluminum and bored for water- cooling. Available in 24" and 36" lengths.

Catalog #	Body Length	Body Width	Height Overall	Price
TSCR24	24"	1/2"	1"	\$60
TSCR36	36"	1/2"	1"	\$70



Fort Loramie Location

100 Enterprise Drive
Fort Loramie, Ohio 45845
Phone: (937) 295-3672
Fax: (937) 295-3677

CONTACT

Grand Rapids, Michigan Location

4460 44th Street SE Suite C
Grand Rapids, MI 49512
Phone: (937) 295-3672
Fax: (616) 301-2495



info@toolingtechgroup.com