



Tooling

Automation & Secondary Equipment

Design/Engineering & Product Development

Quick Change Systems

Thermoforming Accessories

Blow Molding Accessories

THERMOFORMING ACCESSORIES



Precise mechanical systems provide fast, accurate tool changeover.

FORM TOOL COMPONENTS & ACCESSORIES

- Cone Locator Cartridges
- Scrap Chopper Bars
- Titan Sheet Clamps
- Indexing Buttons
- Peening Hammer

RAW MATERIALS

- Syntactic Foam Plug-Assist Materials
- Rapid-Cycle Heat Sink Compound
- Silicone Cord
- Metaporm Mold Material

Silicone Cord

Ideal for Pressure Box and Mold Base Seals

The thermoforming environment requires high-temperature durable seals. Our 70-durometer silicone rubber cord is extruded in H, A and O cross sections to meet your thermoforming tool-building requirements.

Especially suited for pressure boxes, our "H" seal forms tighter compression for positive sheet-gripping and creates a double seal that eliminates blowouts and squeal.

The "O", "H" and "A" sealing cords have a variety of applications (see chart below).



Pressure Seal Application Recommendation

Component Description	Seal Applicator			Cord Type		
	Form Air	Vacuum	Water	O-Cord	H-Cord	A-Cord
Plate to Plate	X	X	X	X		
Clamp Plate to Sheet	X			X	X	X
Clamp Plate to Pressure Plate	X			X		
Pressure Box to Sheet	X				X	
Stripper Plate to Mold Base		X		X		X
Mold to Mold Base		X	X	X		

Save time. Save the hassle. Buy your silicone cord groove end mills directly from Segen!

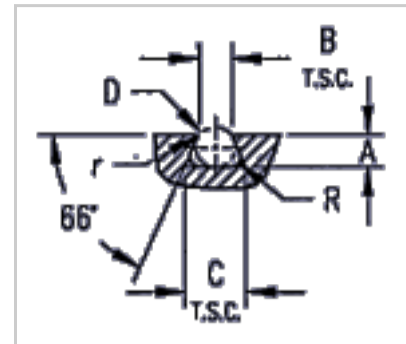
Our solid carbide, end mills are made specifically for cutting the precision grooves for installation of our silicone cord.

(For best results, always pre-cut a smaller groove to remove excess material before running your new form cutter through the material. Recommended speed is 2500 RPM, with a feed-rate of 30 IPM. Ample coolant flow is strongly recommended. Feeds and speeds may vary slightly, depending on the depth and width of the seal groove.)

Catalog #	Description	Price Each
PDEC125BIT	1/8 "O-Cord" Bit	\$70.00
PDEC188BIT	3/16 "O-Cord" Bit	\$79.00

PDEC210BIT	7/32 "O-Cord" Bit	\$75.00
PDEC250BIT	1/4 "O-Cord" Bit	\$80.00
PDEC312BIT	5/16 "O-Cord" Bit	\$90.00
PDEH316BIT	"H-Cord" Bit	\$70.00
PDECA313BIT	"A-Cord" Bit	\$70.00

"O" Cord

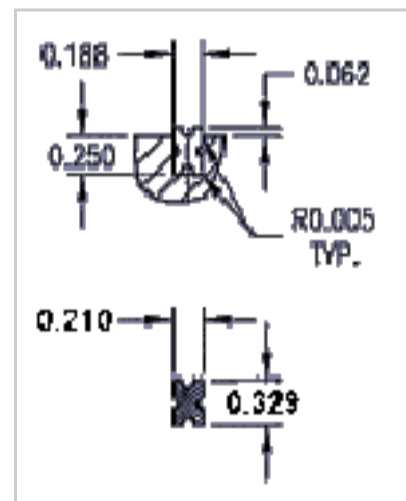


Catalog #	D	A+- .001	B+- .002	C	R	r	Price per Spool (200 ft)
PDEC125	1/8	.101	.103	.193	.032	.010	\$190.00
PDEC188	3/16	.151	.155	.290	.032	.015	\$278.00
PDEC210	7/32	.169	.173	.323	.053	.015	\$300.00
PDEC250	1/4	.201	.206	.385	.063	.015	\$400.00
PDEC275	9/32	.221	.227	.424	.069	.020	\$378.00
PDEC312	5/16	.260	.250	.481	.094	.020	\$450.00

- 1 Spool (200 feet) Minimum Purchase
- 10% discount on Silicone Cord shipments of Spools (1,200 feet) or more.

"H" Cord

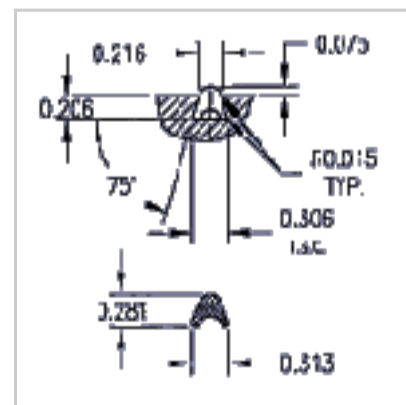
Catalog #	Height	Width	Price per Spool (200 ft.)
PDEH316	.329	.210	\$590.00



- 1 Spool (200 feet) Minimum Purchase
- 10% discount on Silicone Cord shipments of 1,200 feet or more.

"A" Cord

Catalog #	Height	Width	Price per Spool (200 ft.)
PDECA313	.281	.313	\$550.00



- 1 Spool (200 feet) Minimum Purchase
- 10% discount on Silicone Cord shipments of 1,200 feet or more.